

LDC6-210-GC2 BCI GROUP GC2

FEATURES & BENEFITS

- True deep cycle AGM technology-GREEN SOLUTION
- Over 99.99% virgin lead for grid plate and active material
- Heavy duty grid/paste design for deep cycle application
- Maintenance free, non-spillable, valve-regulated
- Double separator configuration: long cycle life & High energy density and super anti-vibration design
- Low self-discharge for longer shelf life



ELECTRICAL SPECIFICATIONS

Voltage(V)	Capacity (AH)					Reserve Capacity (Min)		
	100HR	20HR	10HR	5HR	3HR	@25A	@56A	@75A
6	231	210	200	175	165	460	175	120

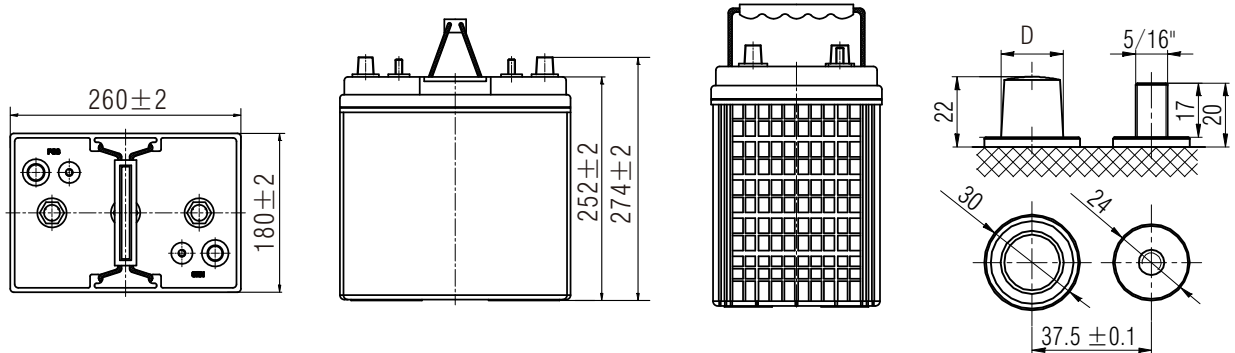
PHYSICAL SPECIFICATIONS

Model	Dimensions (mm/inches)				Weight (kg/lbs)	Terminal Type (Standard)	Case Material
	Length	Width	Height	Total Height			
LDC6-210-GC2	260 (10.24)	180 (7.09)	252 (9.92)	274 (10.79)	27.2 (59.95)	DT-5/16	PP

Operating Temperature Range		
Discharge	Charge	Storage
-15°C ~ 50°C (5°F ~ 122°F)	0°C ~ 40°C (32°F ~ 104°F)	-15°C ~ 40°C (5°F ~ 104°F)

LDC6-210-GC2

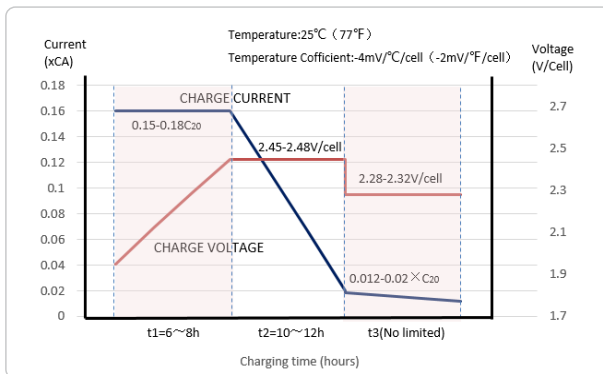
DIMENSIONS



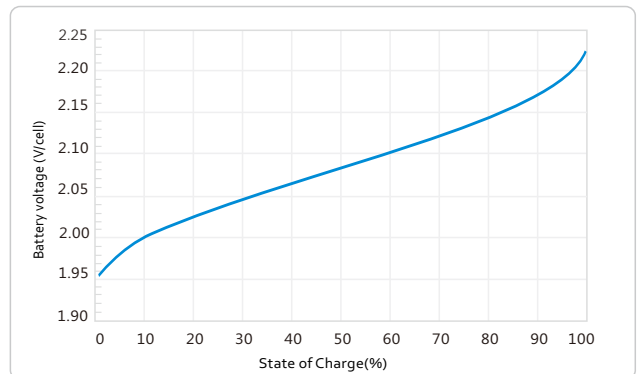
Note: D:Positive $19.5_{-0.3}^0$, D:Negative $17.9_{-0.3}^0$; Terminal Torque Values in-Ib(Nm) :176-203(20-23)

PERFORMANCE CHARACTERISTICS

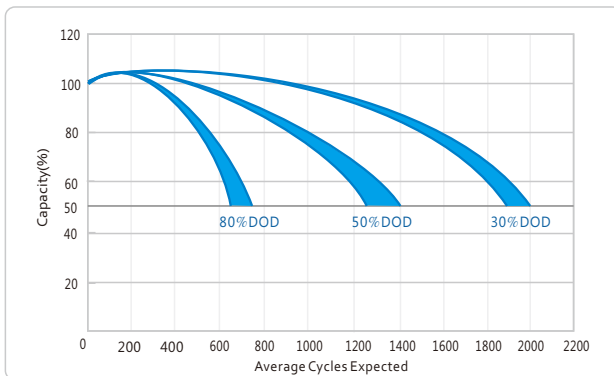
LEOCH LDC AGM Charging Profile



Relationship of OCV and State Of Charge ($25^{\circ}\text{C}, 77^{\circ}\text{F}$)



Cycle life in relation to Depth Of Discharge



Self-discharge Characteristic

